

Where There's A Jam,
There's A Party!™



www.jamaudio.com

USER GUIDE AND WARRANTY INFORMATION

HX-P550

READ UP.

PARTY DOWN.

JAM TOUCH LANGUAGE SELECTOR PIN

Below you will find a Language Selector Pin (LSP), which you can use to toggle through featured languages on your Jam Touch.

1. Press and hold the power button for 3 seconds to power on.
2. Once the speaker is on, turn it over.
3. Place the LSP in the language pin hole and toggle through until you reach your desired language or tone.

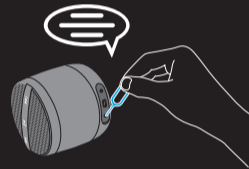
Note: The language are loaded in the following order: English, Spanish, French, Portuguese, Tone, and then back to English.

VOICE PROMPTS

The voice prompts will walk you through your speaker's status, telling you when it is: Ready to pair, paired, ignoring a call, ending a call, charging and powering off.

If you'd rather hear tones, simply use the included Language Selector Pin to toggle to the tone option.

Please visit www.jamaudio.com to explore translations in your language.



HEY. HAVE WE SEEN YOU HERE BEFORE?

Register your speaker at www.jamaudio.com. Information about where you bought it and how you're using it is like gold for the people who make these speakers. Do them a solid, will ya?

Por manual de instrucciones e información de garantía en español visítenos en www.jamaudio.com

There are lots of cool Jam speakers. Check them all out at www.jamaudio.com

PACKAGE CONTENTS



Speaker



User Manual



Charging Cord

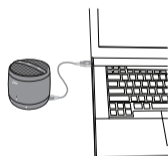


Language Selector Pin

JUST CHARGE IT

Charging the speaker is so easy you've probably figured it out by now, but just in case, you've got two options: you can charge it using your computer or a wall outlet.

1. The cord that came with the speaker—the one with the USB on one end and the Micro USB on the other—is made to work with your computer.



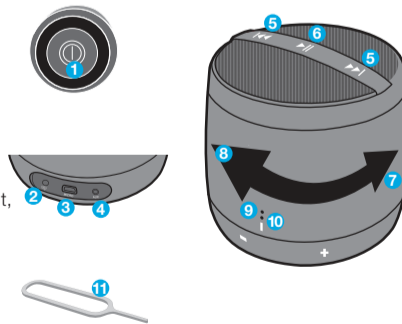
2. If you want to use the wall outlet, you'll need to pick up a power cord with a Micro USB the next time you're at the store, or use any USB AC adapter, including the one for your cell.



Now go get ready for an epic night while your speaker does too. It needs about 3 hours to be fully charged for 5 hours of party time.

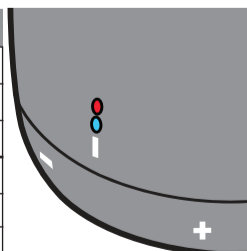
CONTROL YOUR DESTINY...OR AT LEAST YOUR SPEAKER

1. That's the power button, press and hold for 5 seconds to power on
2. It speaks too. Toggle between languages here
3. The power cord goes here
4. Hook it up old-school
5. Skip back a track or jam on to the next song
6. Touch it to play, touch it again to pause
7. Twist to the right to turn the music up
8. Just twist to the left to turn the music down (Wait, why do you need to turn it down?)
9. Check out how much juice is in the battery
10. That light lets you know when Bluetooth is connected
11. Language Selector Pin



ALLOW US TO SHED SOME LIGHT

	What It Looks Like	What It Means
CHARGE	Flashing Red	Low Battery
	Solid RED (when plugged in)	Charging
	OFF (when plugged in)	Ready to Party
Bluetooth	Quick Flash BLUE	Pairing Mode
	Slow Flash BLUE	Connected
	RED	Line-in Mode



Downloaded from www.vandenborre.be

BLUETOOTH® CONNECTION: IT'S A SETUP

Like any amazing couple, this one starts with a connection—one between your device and the speaker's *Bluetooth*.

Here's how it works:

1. We know you're probably going to think, "derp" with this one, but we have to say it: Make sure the smartphone, tablet or computer you want to hook up to the speaker has *Bluetooth*. (There. We got that out of the way.)
2. Turn on the speaker (press and hold for 5 seconds) and look for the little blinking light.
3. Do whatever your device needs you to do on its end. (We don't know what you're using. We're not spies.)
4. Look for Jam Touch in your device's *Bluetooth* list or click YES—whatever pops up on your device—and BAM! you're connected.
5. Now hit PLAY on your speaker and crank it up—or down if you're lame.

You're probably only going to have to do this once, unless your device goes through a major I-just-dropped-it-in-the-pool kind of reboot. The device and *Bluetooth* will find each other every time just as long as the speaker is set to *Bluetooth* and your device's *Bluetooth* is, you know—on.

If you're connecting to a computer, you may have some extra steps on that end. You'll have to get that information from the computer company.

Depending on your device you may be prompted to enter a pairing code. If prompted enter "0000" as the code.

Press and hold the PLAY/PAUSE button for 5 seconds to activate pairing mode.

Note: If you turn on your Jam Touch but haven't started the party yet, it will automatically power off after 2 minutes of unpaired inactivity.

Note: Once you've paired, if you pause the party for 15 minutes or more the Jam Touch will automatically shut off to preserve battery power.

HELLO? SPEAKERPHONE? YES!

When friends call asking to join the party—and you know they will—answer the phone without disconnecting from your JAM Touch. Yes, that's right. Your speaker is a speakerphone too. How amazing is that?

Here's how it works:

1. Make sure your phone and speaker are connected through *Bluetooth*.
2. Answering and ending a call works the same way: simply click the PLAY/PAUSE button on your Touch.
3. If you'd rather not talk, hold down the PLAY/PAUSE button on your Touch for three seconds to ignore the call.

THE COOLEST PART: The Touch knows when a call is coming in and pauses the music before ringing. When you hang up, the music starts where it left off—and so does the party. If it's you making the call, just start dialing from your phone, and the Touch automatically does its hands-free thing. Isn't it refreshing to know your speaker totally gets you?

THE VOICE FROM WITHIN

When your JAM Touch isn't rocking out, it can tell you all sorts of things it's doing: when it's powering on, ready to pair, paired ignoring a call, ending a call, charging, and powering off.

Just like the global gadget it is, your speaker toggles between several languages or no language at all. Your speaker can parlay with you in English, Spanish, French, or Portuguese. But, making the change between language and tone is as simple as poking a paperclip, safety pin, or the pin included into the small hole on the bottom. Click through until the speaker starts speaking your language.

COMING CLEAN

A soft, dry towel is all you need to clean off your speaker. Using water, harsh cleaners or anything else only starts messing with the mechanics inside. So, yeah, don't do it.

STUFF THE GOVERNMENT MAKES US SAY

FCC Disclaimer:

Note: This device complies with part 15 of the FCC Rules. Operation is subject to the following two conditions: (1) This device may not cause harmful interference, and (2) this device must accept any interference received, including interference that may cause undesired operation.

Note: This equipment has been tested and found to comply with the limits for a Class B digital device, pursuant to part 15 of the FCC Rules. These limits are designed to provide reasonable protection against harmful interference in a residential installation.

This equipment generates, uses and can radiate radio frequency energy and, if not installed and used in accordance with the instructions, may cause harmful interference to radio communications. However, there is no guarantee that interference will not occur in a particular installation.

If this equipment does cause harmful interference to radio or television reception, which can be determined by turning the equipment off and on, the user is encouraged to try to correct the interference by one or more of the following measures:

- Reorient or relocate the receiving antenna.
- Increase the separation between the equipment and receiver.
- Connect the equipment into an outlet on a circuit different from that to which the receiver is connected.
- Consult the dealer or an experienced radio/TV technician for help.

Note: Changes or modifications not expressly approved by HMDX could void the user's authority to operate this equipment.

ONE YEAR LIMITED WARRANTY

For detailed Warranty Instructions and Information visit:

<http://www.jamaudio.com/customer-support/warranty-1yr>

To obtain warranty service on your Jam product, contact a Consumer Relations Representative by telephone at 1-888-802-0040 or email cservice@jamaudio.com for assistance. Please make sure to have the model number of the product available. Representatives are available 8:30am - 7:00pm EST Monday-Friday.

STUFF OUR LAWYERS MAKE US SAY

IMPORTANT SAFEGUARDS:

When using an electrical product, basic precautions should always be followed, including the following:

READ ALL INSTRUCTIONS BEFORE USING

- WARNING: Do not place speakers too close to ears. May cause damage to ear drums, especially in young children.
- Use this product only for its intended use as described in this manual. Do not use attachments not recommended by HMDX.
- HMDX is not liable for any damage caused to Smartphones, iPod/MP3 player or any other device.
- Do not place or store this product where it can fall or be dropped into a tub or sink.
- Do not place or drop into water or any other liquid.
- Not for use by children. THIS IS NOT A TOY.
- Never operate this product if it has a damaged cord, plug, cable or housing.
- Keep away from heated surfaces.
- Only set on dry surfaces. Do not place on surface wet from water or cleaning solvents.

A MESSAGE FROM THE ENVIRONMENT

WARNING:

This product has an internal, non-replaceable lithium battery. Please dispose in accordance with your local, state, province and country guidelines.

This product contains small parts that may present a choking hazard for young children.

CAUTION: All servicing of this product must be performed by authorized Jam Audio Service Personnel only.

Note: The most up-to-date version of the Jam Touch User Guide can always be found at www.jamaudio.com.

Por manual de instrucciones e información de garantía en español visitenos en www.jamaudio.com

© 2014 HMDX. All Rights Reserved. IB-HXP550

Follow JamAudio on Facebook, Twitter, Spotify & Soundcloud to feed your Jam with weekly playlists of hot new music.